

FULL HD 1080p

LED

PREMIUM WIDE



# 27REDP

BUILT TO RUN 24 X 7 X 365 CONTINUOUSLY

## OVERVIEW

The ORION PREMIUM WIDE Series is our high performance, feature rich monitor line with an All Metal Cabinet, PIP / PBP, Dual Analog In, Auto Source Sequencing (up to 7 sources), Trigger Alarm / Sensor, 3D Comb Filter, Deinterlace, Noise Reduction. This series has the versatility and configuration options you need to support your security surveillance applications.

## FEATURES

- » Metal Chassis
- » 1920 x 1080p FULL HD
- » PIP / PBP Multi Display Function
- » 3D Comb Filter / Deinterlace, Noise Reduction, Advanced Auto Power Recovery, Auto Source Sequencing, Trigger Source Switching, Auto Pixel Shift Multi-Language Support
- » BNC Video 2 In / 2 Out, S-Video 1 In / 1 Out, VGA 1 In, Component 1 In, DVI-D 1 In, HDMI 2 In, Audio 3 In, PC Stereo 1 In
- » Built-In Speakers
- » Wall and Rack Mount Kit

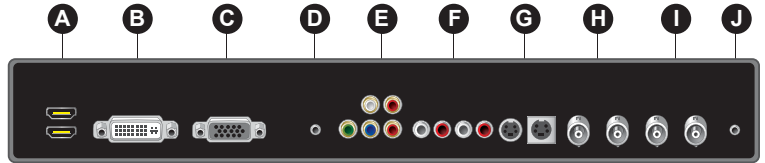


### SPECIFICATIONS

27REDP	
<b>Display</b>	
Screen Size	27 Inch
Max. Resolution	1920 x 1080 @ 60Hz
Pixel Pitch	0.3114 x 0.3114mm
Brightness	250cd/m <sup>2</sup>
Contrast Ratio	1000 : 1
Aspect Ratio	16 : 9
Viewing Angle (H/V)	178° / 178°
Display Color	16.7 Million
Response Time	< 8ms (Gray to Gray)
Video System	NTSC / PAL
<b>Interface</b>	
Video In / Out (BNC Type)	2 In / 2 Out
S-Video In / Out	1 In / 1 Out
Component	1 In
DVI-D In / HDMI In	1 In / 2 In
VGA In (15Pin D-Sub)	1 In
Audio In (RCA Type)	3 Left & Right
PC Stereo In	1 In
<b>Transmitter</b>	
Remote Control	Yes
<b>Audio</b>	
Built-in Speakers	Yes (1W x 2)
<b>Features</b>	
Multi Display Function	PIP / PBP
Filter Type	3D Comb Filter
Deinterlacing	Yes
Advanced Auto Power Recovery	Yes
Noise Reduction Control (NR)	Yes
LCD Protection Glass	N/A
Auto Pixel Shift	Yes
Auto Source Sequencing	Yes
Trigger Sensor	Yes (NO / NC)
Multi Language	English, Spanish, French, German, Italian
<b>General</b>	
Outline Dimension (w/ stand)	24.92" x 16.59" x 5.91"
Net Weight	8.5Kg (18.74 lbs)
Material / Color	Electronic galvanized iron / Black
Desk Top Stand	Yes
Part / Labor	3year / 3year
Consumption: < On	< 40W
	AC100 ~ 240V(50/60Hz)
Operating Temperature	0° ~ 40° C / 32° ~ 104° F
Storage Temperature	-20° ~ 60° C / -4° ~ 140° F
<b>Mounts</b>	
VESA™ Mount Size	200 x 100mm
Wall	WB-31, WB-2642
Ceiling	CMK-01

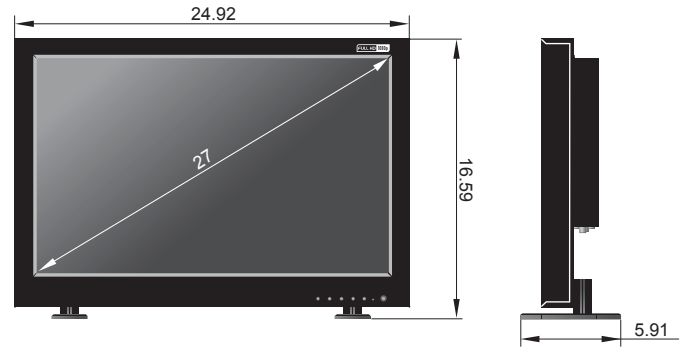
\*Design and specifications are subject to change without notice

### INPUT INTERFACE



- A HDMI1 / HDMI2 In
- D PC Stereo In
- G S-Video In / Out
- J Trigger
- B DVI-D In
- E Component
- H Video1 In / Out
- C VGA In
- F Audio In
- I Video2 In / Out

### DIMENSIONS



### OPTIONAL MOUNTS



### ADVANTAGES

3D Comb Filter, Noise Reduction and Deinterlacing provides high quality color producing the best color sense

#### Dual Screen Display / Dual Signal In Analog & Digital

Picture-in-Picture (PIP) mode allows an image from an AV source to be displayed as a picture within the image from a PC source (or vice-versa). Picture-by-Picture (PBP) mode permits images from an AV and PC source to be displayed side by side for split-screen viewing.



#### Auto Pixel Shift

Minutely moves pixels diagonally to prevent after-image / static image burn in

